

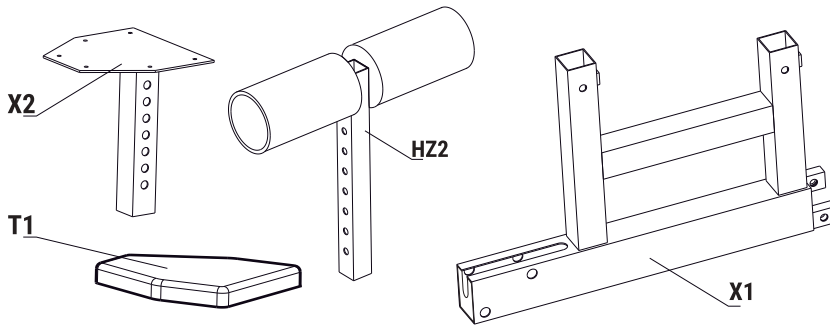
Assembly instructions

HZ12+HZ2

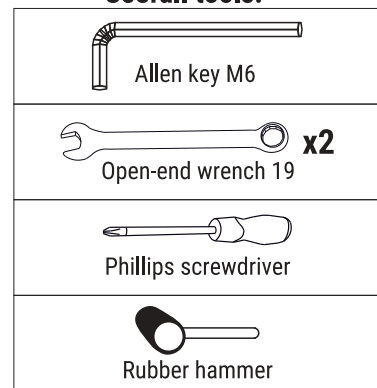
THE MODULE WITH A SEAT FOR ATLASSES GLADIUS

List of structural components

Symbol	Name	Quantity
X1	Upper structural element	1
X2	Seat	1
T1	Upholstery for the seat	1
HZ2	Thigh lock	1



Usefull tools:



List of mounting components:

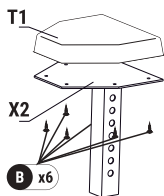
A1 Screw M12x40 2 pcs	B Screws 6 pcs	E Grommet 50x50 2 pcs	G Pin C-08mm x 185mm 2 pcs
I Overlay 40x40 1 pcs	J Dummy plug 40 x 40 1 pcs	K Knob 060mm x 20mm 2 pcs	L 4mm cable for the lower lift 4 m

ATTENTION!
BEFORE STARTING THE INSTALLATION,
YOU MUST TAKE THE NECESSARY
PRECAUTIONS, AND BEFORE STARTING
THE WORK, IT IS ESSENTIAL TO REMOVE
THE LOAD FROM THE HOIST.

Important information!
Before starting the installation, remove the lower lift elements from the Gladius lifts (cable, wheels and its ending elements). The rope should be replaced with the one available from this set (longer) and after running it through HZ12, make an end according to the instructions

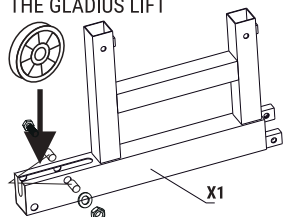
Step 1

UPHOLSTERY INSTALLATION



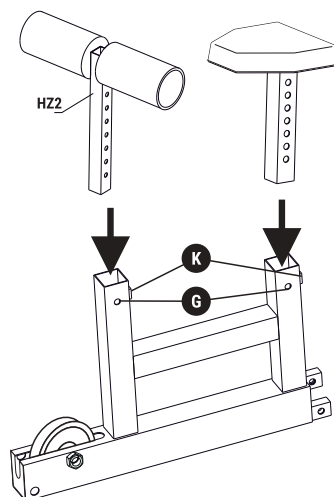
Step 2

RELOCATION OF ELEMENTS FROM THE GLADIUS LIFT



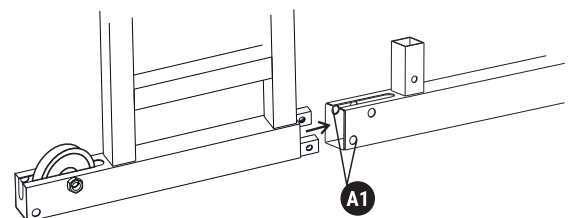
Step 3

INSTALLATION OF THE STRUCTURE



Step 4

INSTALLATION OF THE MODULE WITH SEAT FOR THE GLADIUS SERIES LIFT



Step 5

FITTING THE END OF THE CABLE ACCORDING TO THE INSTRUCTIONS FOR A GIVEN LIFT