

Assembly Instructions

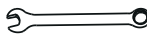

STANDS FOR BAR

HS4

List of components

Symbol	Nazwa	Ilość
X1	Side component	2
X2	Upper left connector	1
X3	Lower left connector	1
X4	Upper right connector	1
X5	Lower right connector	1

Required tools








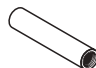
	x2
Spanner 19	
	
Rubber hammer	

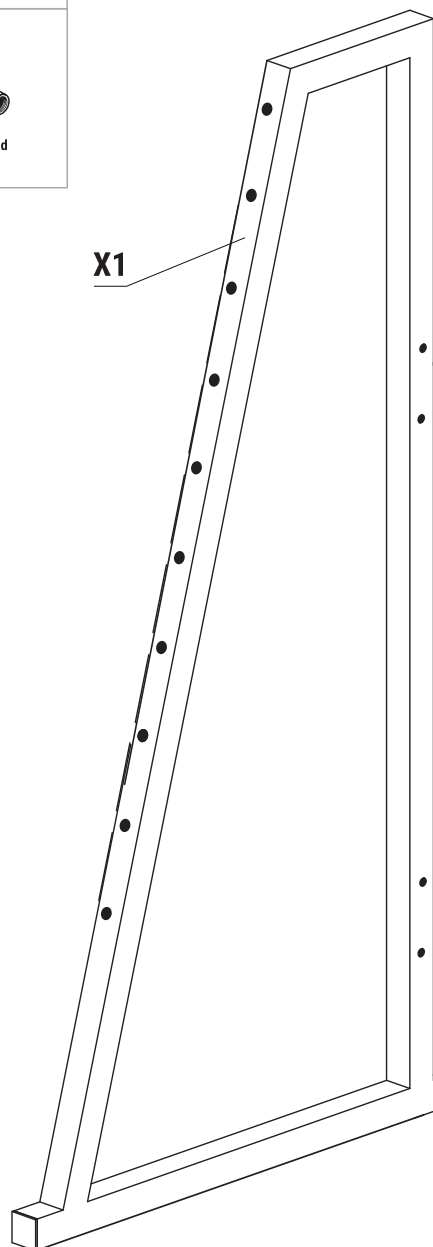
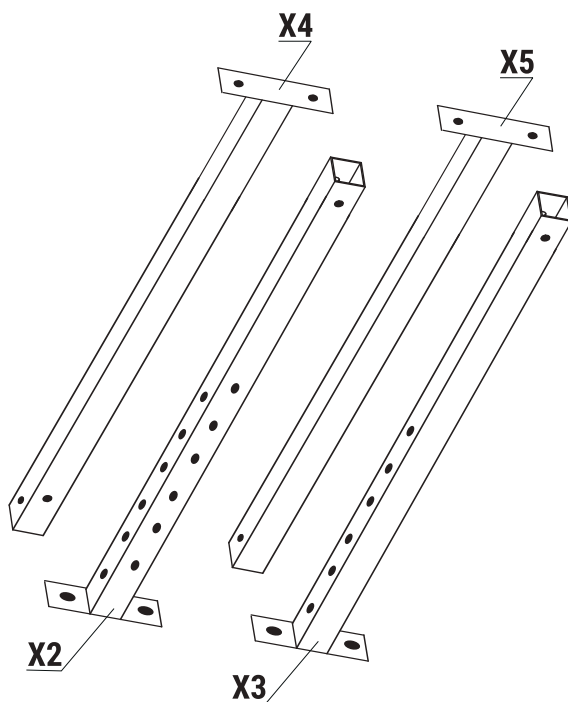
Product website



kelton-luewo.eu/product-eng-111

List of assembly components:

A1  Bolt M12 x 20 mm 20 szt	A2  Bolt M12 x 60 mm 3 szt	A3  Bolt M12 x 70 mm 8 szt	B  Nut M12 11 szt
C  Washer M12 11 szt	D  Plug 50x50 mm 4 szt	E  Sticker 1 szt	F  Pin with thread 20 szt



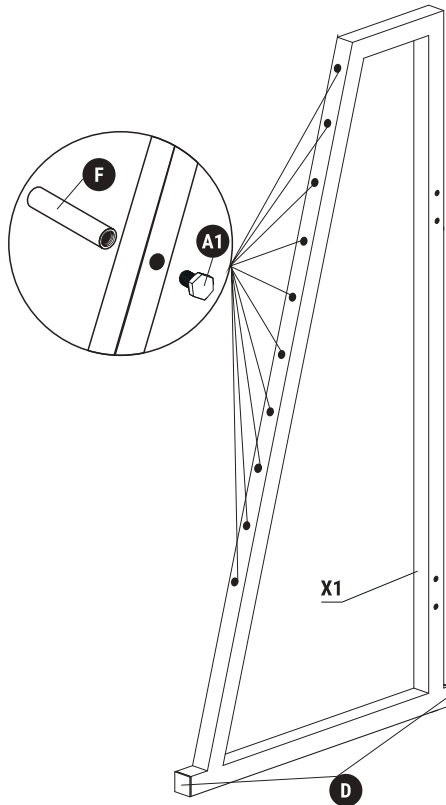
Assembly Instructions

HS4

STANDS FOR BAR

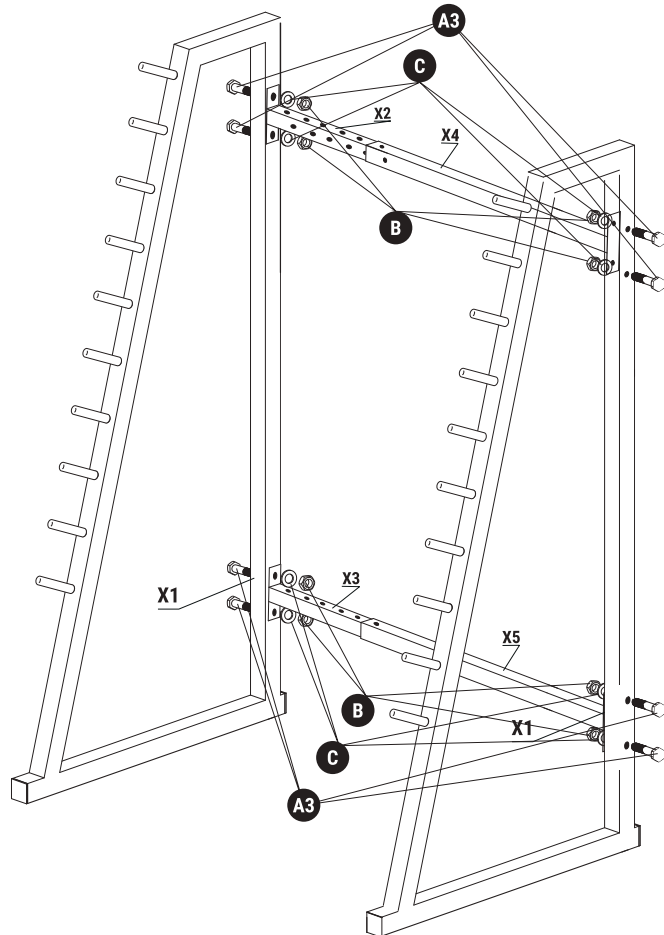
Step 1

INSTALLATION OF SAFETY PINS



Step 2

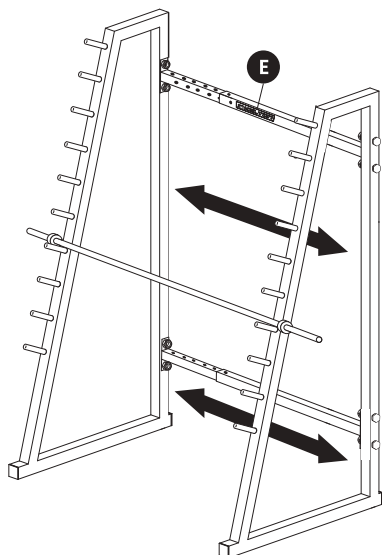
ASSEMBLING THE MAIN RACK STRUCTURE



Step 3

AT THIS POINT, YOU NEED TO ADJUST THE SPACING OF THE STANDS TO THE LENGTH OF THE BAR (BEST TO TRY THE BAR WITHOUT LOAD AND ADJUST THE WIDTH OF THE SPACING)

ATTENTION! THE BAR SHOWN IS NOT INCLUDED



Step 4

SECURING THE TOP AND BOTTOM OF THE RACK

